

CF SLATE PANEL (Figure 7)

[CF = Concealed Fastening]

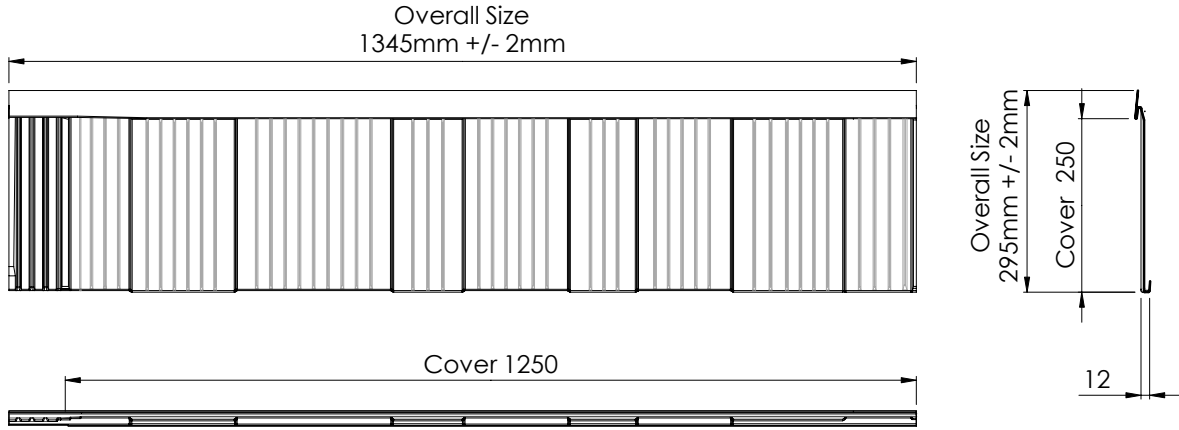


Figure 7.1 Panel Dimensions

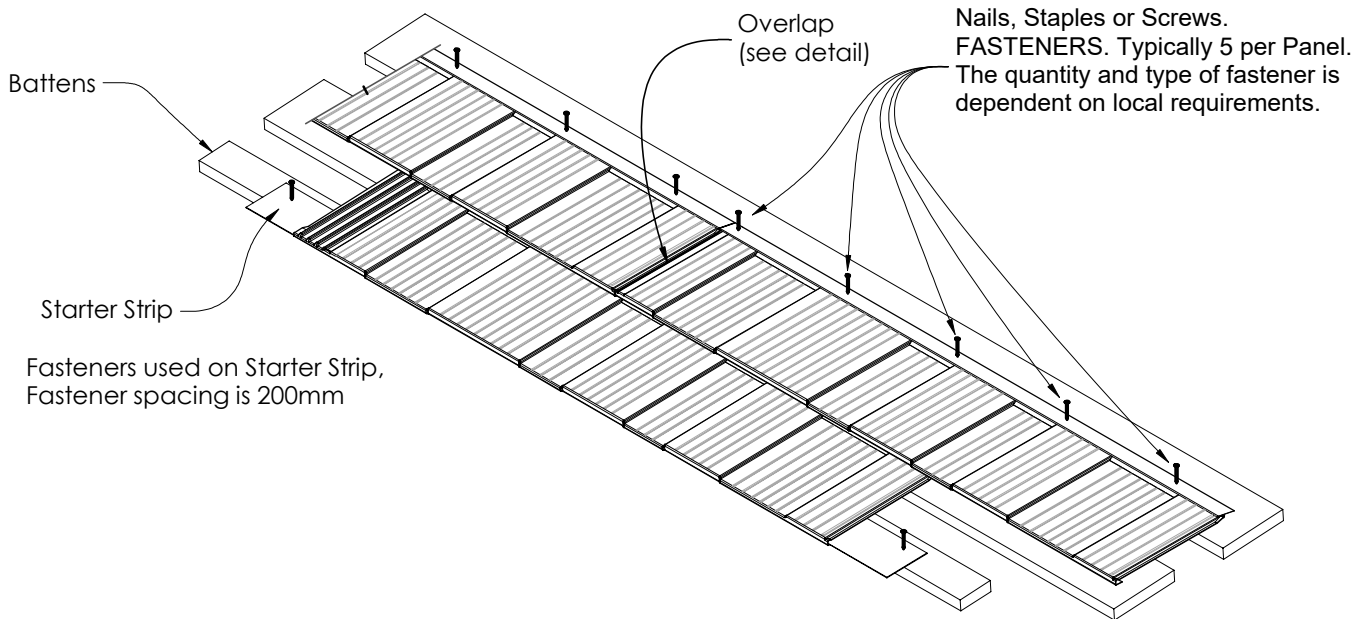


Figure 7.2 Fastening Detail

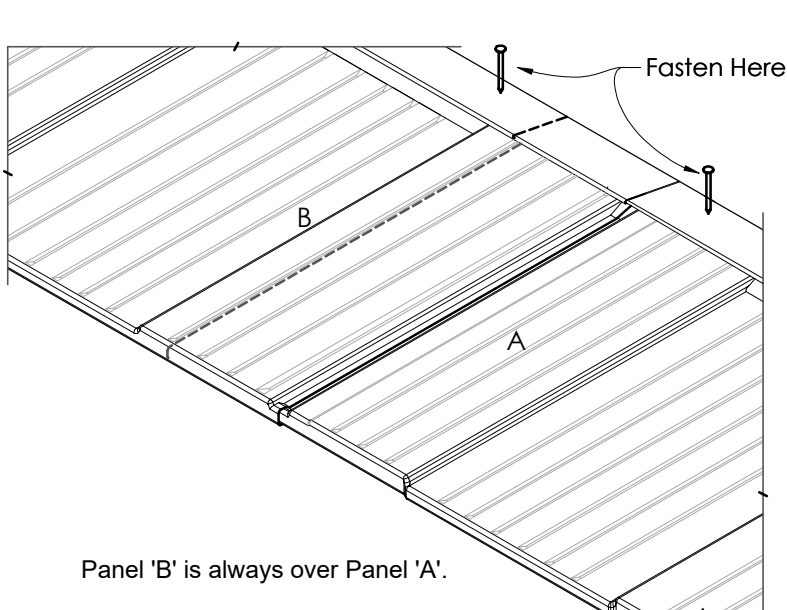


Figure 7.3 Overlap Detail

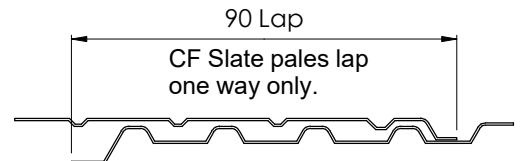


Figure 7.4 Lap Section

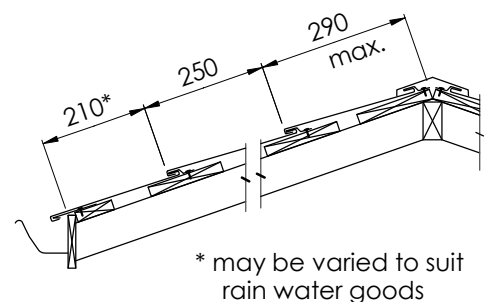


Figure 7.5 Batten Layout