

Figure 4.1 Tile Dimensions

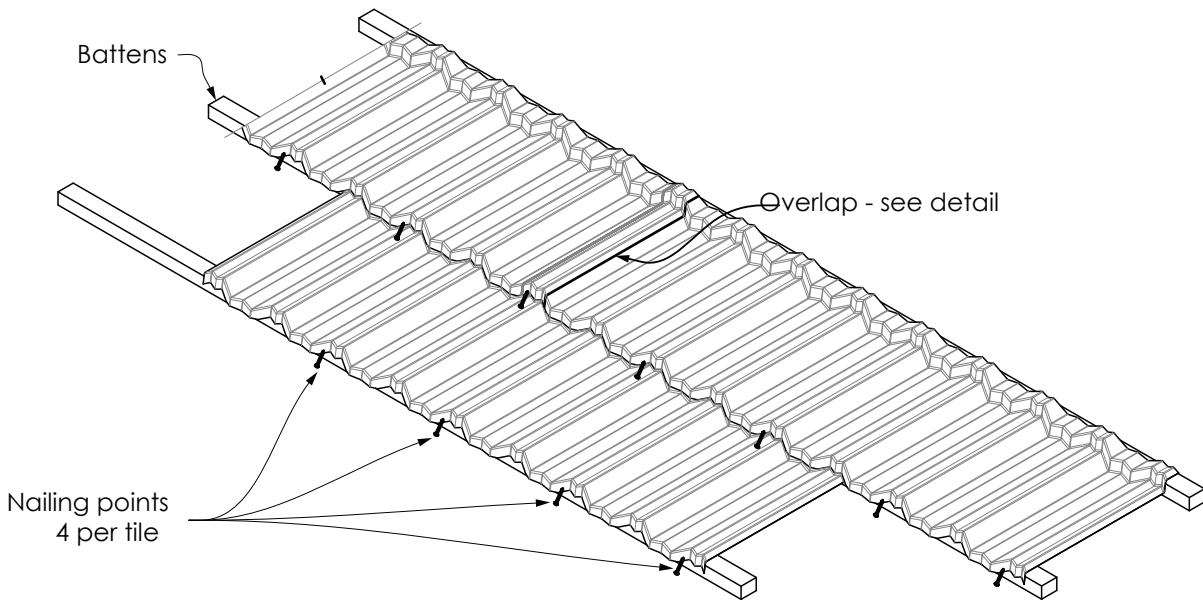


Figure 4.2 Nailing Detail

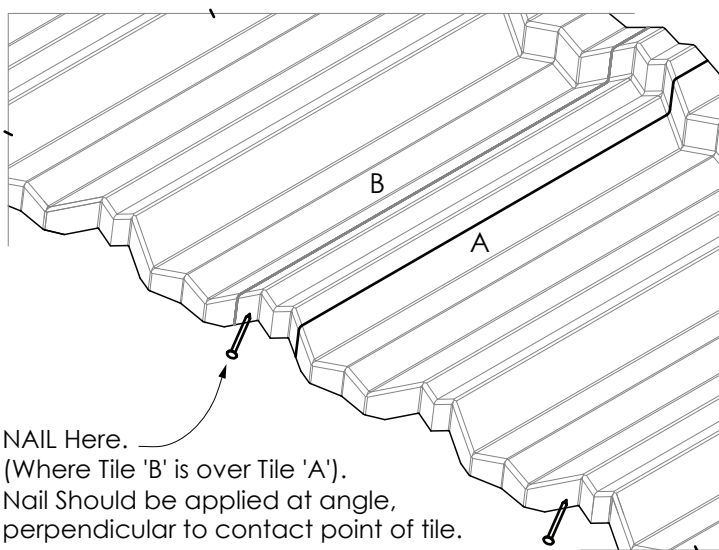


Figure 4.3 Overlap Detail

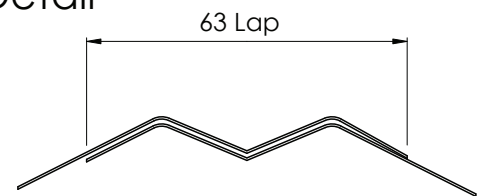


Figure 4.4 Lap Section

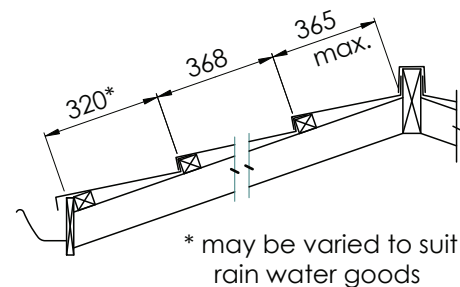


Figure 4.5 Batten Layout